

RoHS

Recommended P.C.B Layout
General Tolerance±0.05

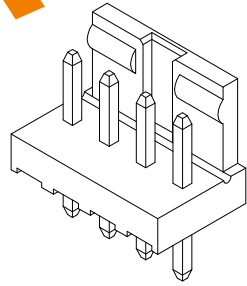
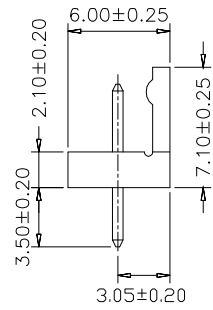
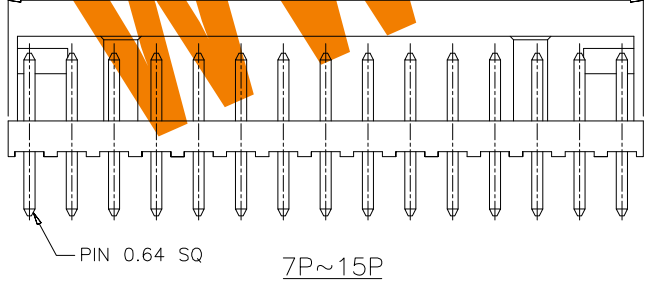
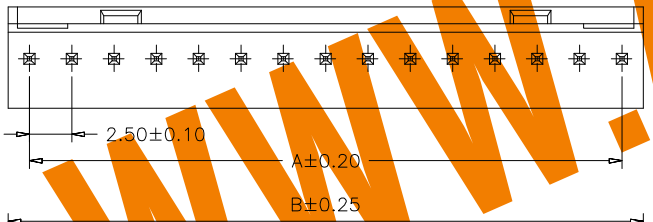
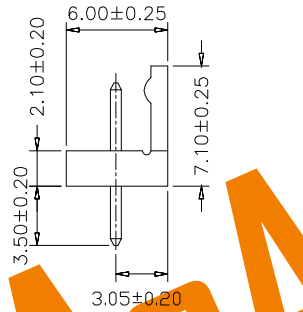
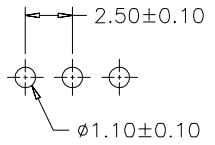
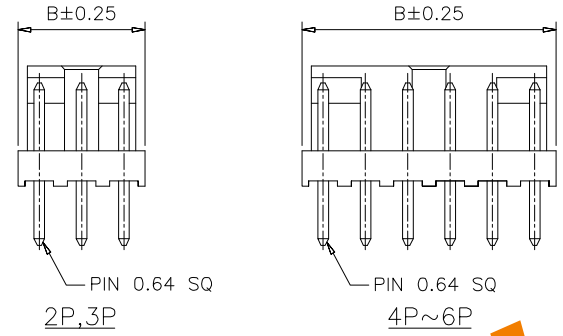
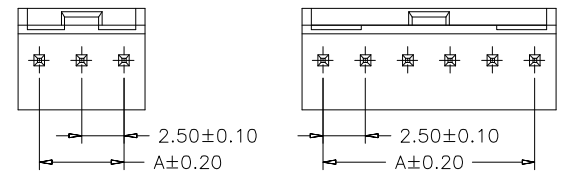
Specification:
 -Current Rating: 3A AC/DC
 -Voltage Rating: 250V AC/DC
 -Insulation Resistance: 1000MΩ Min
 -Withstanding Voltage: 1000VAC Min
 -Contact resistance: 20mΩ(Max).
 -Operation Temperature: -25°C to +85°C

Material:
 -Insulator (Housing): PA66 (UL94V-0)
 -Contacts: Brass
 -Solder: Tin Plated
 -Color: Brown

Ordering Information

SCT2504WV - ** B 0 BN 102

No. of Pins See Table
 Insulation B=PA66 V0
 Package 0=PE Bag
 Color BN=Brown WT=White



10	22.50	25.00			
9	20.00	22.50			
8	17.50	20.00			
7	15.00	17.50			
6	12.50	15.00	15	35.00	37.50
5	10.00	12.50	14	32.50	35.00
4	7.50	10.00	13	30.00	32.50
3	5.00	7.50	12	27.50	30.00
2	2.50	5.00	11	25.00	27.50
Poles	A	B	Poles	A	B
	Dimensions			Dimensions	

						OPERATION	DRAW	Peng	2021.07.06	SCALE	-	 WWW.AsA-Elec.com AsA Electronic Co. Tel: (+98) 21 66 73 56 82 Mob: (+98) 912 03 161 02	
						X.X ±0.35	DESIGN			UNIT	mm		
A1	2021.07.06	Changed from SCT2504WV-xxP to SCT2504WV-xxB0BN102				X.XX ±0.25	CHECK	Lisa	2021.07.06	SIZE	A4		
A0	2006.05.02	NEW				X.XXX ±0.15	CHECK	Allen	2021.07.06	SHEET	1/1		
REV	DATE	MODIFICATION DESCRIPTION	CHANGE	APPROVE	Angle ± 3'	DIM TOL	APPROVE	Allen	2021.07.06	PROJ.	⊕	PART NO.	SCT2504WV-xxB0BN102
												TITLE:	JAE 2.50mm Pitch 180° Wafer Connector